

EVC 1000 Art. 4068

- D** **Gebrauchsanweisung**
Elektro-Vertikutierer
-
- GB** **Operating Instructions**
Electric Aerator
-
- F** **Mode d'emploi**
Scarificateur électrique
-
- NL** **Gebruiksaanwijzing**
Elektrische verticuteermachine
-
- S** **Bruksanvisning**
Elektrisk Vertikalskärare
-
- I** **Istruzioni per l'uso**
Scarificatore elettrico
-
- E** **Manual de instrucciones**
Aireador eléctrico
-
- P** **Manual de instruções**
Escarificador de relva eléctrico
-
- DK** **Brugsanvisning**
Elektrisk vertikalskærer

GARDENA Electric Aerator EVC 1000

Welcome to the Garden of GARDENA...



Please read these operating instructions carefully and observe the notes given. Use these instructions to familiarise yourself with the Electric Aerator, its correct use and the notes on safety.



For safety reasons, children under the age of 16 as well as persons not familiar with these operating instructions should not use this Electric Aerator.

→ Please keep these operating instructions in a safe place.

Contents

1. Where to Use Your GARDENA Electric Aerator	11
2. For Your Safety	11
3. Function	13
4. Assembly	13
5. Operation	14
6. Maintenance	15
7. Trouble-Shooting	16
8. Storing Your Electric Aerator	17
9. Accessories	17
10. Technical Data	18
11. Service	18

1. Where to Use Your GARDENA Electric Aerator

Intended use

The GARDENA Electric Aerator EVC 1000 is designed for aerating lawns and grassy areas in private domestic and hobby gardens. It is not designed for use in public facilities, parks, sporting grounds, on roads, in agriculture or forestry.

Compliance with these instructions provided by GARDENA is a prerequisite for using the Electric Aerator correctly.

Please note



Attention! To prevent injury, the Electric Aerator must not be used for trimming bushes, hedges and shrubs. In addition, the Electric Aerator must not be used for levelling irregularities in the soil.

2. For Your Safety

→ Please observe the notes on safety on the Electric Aerator.



Warning!

→ Read instruction handbook!



Sharp prongs can cause injury!

→ Unplug from the mains before maintenance or if the mains lead is damaged.



Danger! Risk of injury!

→ Keep bystanders away!

→ Keep mains connection lead away from the aerator.

Checks before each use:

- Inspect the Electric Aerator before each use.
- Do not use the Electric Aerator if safety devices (starter lever, safety interlock, rear flap, housing) are damaged or worn.
- Never operate the unit with the safety devices by-passed or missing.
- Note: Ensure that all nuts, bolts and screws are tight and that the Aerator is in good working order.

For safety reasons, allow all worn out and damaged parts to be exchanged by GARDENA Service or authorised specialist dealers.

- Inspect the area to be aerated before beginning work.
- Check the working area for foreign objects (e.g. stones, branches, string) and remove if necessary.

Proper use / Responsibility:



Danger! Risk of injury!

The Aerator can cause serious injuries!

- **Keep hands and feet away from the aerator cylinder.**

You are responsible for the safety of the working area.

- Only use the Electric Aerator for the purposes specified in these instructions.
- Only work when visibility is good.
- During use do not tip the unit and do not open the rear flap.
- Familiarise yourself with the surroundings of your working area. Check for possible risks which might be not audible due to the noise of the machine.
- Wear sturdy shoes and long trousers to protect your legs.
- Ensure you keep your feet a safe distance from the moving parts.
- Make sure that there are no other people (especially children) or animals anywhere near the working area.
- Always push the Aerator at a walking pace.

- Operating position: Ensure that you have a secure foothold when working.
- Be particularly careful if you change direction on a slope.

Attention! Take extra care when walking backwards. You may stumble!

- Do not use the aerator if it is raining or in moist, wet conditions.
- Do not work close to the edge of swimming pools or garden ponds with the aerator.
- Please observe any local restrictions relating to noise levels

Electrical safety:

- Keep the extension cable away from the aerator cylinder!
- Never use the Electric Aerator when it is raining.
- Please observe the prescribed local quiet times.
- The connecting/extension cable must be checked regularly for damage and signs of wear and tear.
- Disconnect the mains plug immediately if the connecting/extension cable is damaged or severed.
Never touch the mains connection cable before the mains plug has been removed from the socket.

The coupling socket for the extension cable must be waterproof for protection from water splashes or the connection sockets for extension cables must be made of rubber or be encased in rubber.

Extension cables must meet the requirements of DIN VDE 0620.

- Only use approved extension cables with the correct load rating. Ask your electrician.

Attachment fittings must be used for extension cables.

For portable units, which are used outdoors, we recommend to use a residual-current device having a residual-current rating ≤ 30 mA. In Switzerland use of a residual-current device is obligatory.

Interruptions of work:

Never leave the Electric Aerator unattended at the working area.

- If you interrupt your work store the unit in a safe place. Disconnect the mains plug!
- When you interrupt work in order to go to another working area, always switch off the Electric Aerator during transport. Put the wear compensation lever in the transport position.

If you come into contact with an obstruction during aerating:

1. Turn off the Electric Aerator.
2. Remove the obstruction.
3. Check the Aerator for damage and have it repaired if necessary.

3. Function

Correct aerating:

The Aerator can be used for removing matting and moss in the lawn as well as for cutting flat-rooting ranks.

To maintain a well-cared-for lawn, we recommend aerating the lawn twice a year: in the spring and in the autumn.

→ First of all, mow your lawn to the length you require.

We particularly recommend this if the grass has grown tall (e.g. while you were away on holiday).

Recommendation: the shorter you mow your lawn, the easier it is to aerate, thus lessening the strain on the Aerator and increasing the lifetime of the aerator cylinder.

Remaining in one spot too long, or aerating if the ground is wet or too dry can damage the grass.

→ For good results, guide the Aerator at an appropriate speed in strips as straight as possible across your lawn.

To avoid leaving any gaps during aerating, the strips should touch.

→ Always guide the Aerator at an even speed depending on the type of ground.

→ When working on inclines always stand diagonally to the incline in a sturdy, safe stance. Do not work on extremely steep slopes.

Danger of tripping!

To prevent tripping take particular care when moving backwards and when pulling the Aerator.

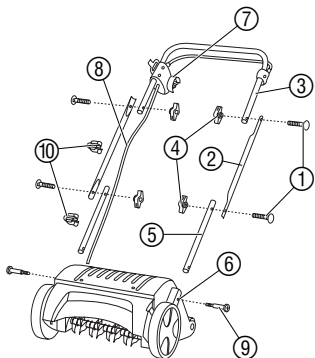
When aerating areas of very mossy lawn we recommend resowing the lawn after aerating. This helps the areas of lawn which were replaced by moss to regenerate more quickly.

4. Assembly

Assembling the handle:

→ **Do not place the connecting cable ⑧ under strain during assembly.**

1. Insert the two lower sections of the upright ⑤ (with the end with the round hole) in the mountings in the motor casing ⑥ and secure with the crosshead screws ⑨.



2. Insert the two locking bolts ① from outside through the holes in the two central sections ② of the upright and secure to the lower sections of the upright ⑤ with two wing nuts ④.
3. Screw the upper part of the upright with starting handle ③ to the central sections of the upright ② with two more locking bolts ① and the wing nuts ④.

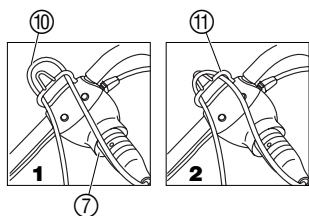
This completes the assembly of the handle.

Warning: Fit the upper section of the upright with starting handle ③ in such a way that the plug ⑦ with the power cable ⑧ is on the right side (in direction of movement) (see fig.).

4. Attach connection cable ⑧ to the handle with the two cable clips ⑩.

5. Operation

Connect extension cable:



1. Push connector of extension cable ⑩ on to the plug ⑦.
2. Draw a loop of the extension cable ⑩ through the cable strain relief device ⑪ 1 and suspend in position 2.
This prevents inadvertent disconnection of the plug and socket connection.
3. Insert extension cable ⑩ into a mains socket.

Starting Aerator:



Danger of injury if the Aerator does not switch off automatically!

→ Do **not** remove or bridge safety devices fitted to the Aerator (e.g. by tying the starting lever to the upper handle)!

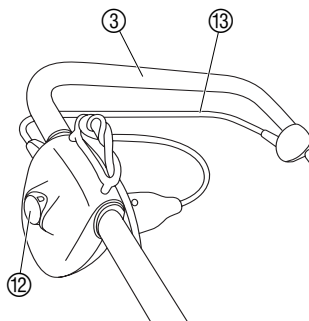


Danger! The Aerator does not stop immediately after the motor has been switched off:

→ **Never** lift, tip or carry the Aerator with the motor running!

→ **Never** start on solid ground (e.g. asphalt).

→ **Always** maintain the safety distance between the aerator cylinder and the user as defined by the guide handle.



1. Place Aerator on flat grass surface.
2. Keep safety interlock ⑫ pressed down and pull starting lever ⑬ on the upper handle ③. *The Aerator starts.*
3. Release safety interlock ⑫.

When in operation, the extension cable ⑩ must always be guided in the direction you are working and to the side of the area to be worked on.

Always work away from the connection cable.

Blockage Protection: If the aerator cylinder is blocked, e.g. by a foreign body, immediately release the starting lever. If the blockage lasts longer than 10 seconds and the starting lever has not been released, blockage protection is activated. In this case immediately release the starting lever. The Aerator can be switched on again after cooling down for approx. 1 minute.

⚠ Danger of injury!
If blockage protection is activated and the starting lever is not released, the Aerator starts again automatically after approx. 1 minute.

6. Maintenance

Cleaning Aerator:

⚠ Danger! The aerator cylinder can cause injuries!
 → Prior to maintenance, unplug from the mains and wait until the Aerator drum has stopped.
 → Wear working gloves for performing maintenance.

The Aerator should be cleaned after each time it is used.

⚠ Risk of injury and physical damage!
 → Do not clean Aerator under running water (particularly under high pressure).
 → Do not use hard or pointed objects for cleaning the Aerator.

→ Remove grass and deposits from wheels, aerator cylinder and housing.

Adjusting for wear:

The Aerator is subject to wear in use due to the way in which it works. The more intensively the Aerator is used, the greater the wear on the knives.

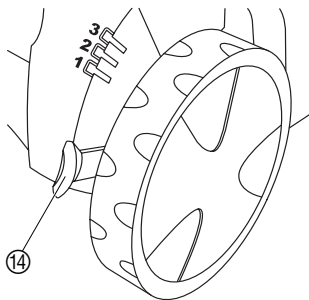
Hard or very dry ground accelerates wear as does excessive use of the Aerator.

If the results of your work with the Aerator become increasingly worse due to knife wear, the aerator cylinder can be adjusted twice.

The aerator cylinder has 4 adjustment positions:

- **Transport position**
- **Aerating position 1 :**
- **Aerating position 2 :**
 First adjustment position after knife wear (aerator cylinder lowered by 3 mm).
- **Setting 3 :**
 Second adjustment position after knife wear (aerator cylinder lowered by a further 3 mm)

Push wear compensation lever ⑭ gently away from the housing and move to the position required.



Note: Wear adjustment is not used for height adjustment. Adjustment of the aerator cylinder without visible wear can cause damage to the aerator cylinder or overload the motor.

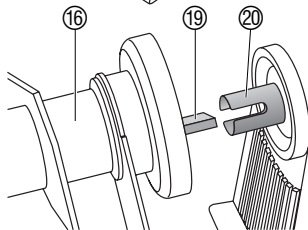
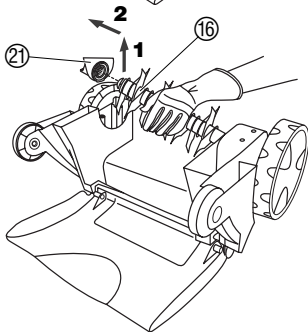
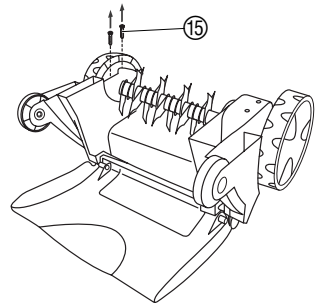
7. Trouble-Shooting

Replacing aerator cylinder:

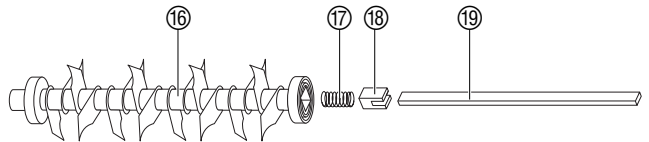


Danger! The aerator cylinder can cause injuries !
 → Prior to rectifying faults, unplug from the mains and wait until the aerator cylinder has stopped.
 → Wear working gloves when rectifying faults.

If the aerator cylinder is in wear adjustment position 3 and is worn, the aerator cylinder must be replaced.
 Only use the **original GARDENA cylinder for art. 4068** which can be ordered via GARDENA-Service.



1. Unscrew two screws ⑮ on the underside of the housing.
2. Lift aerator cylinder ⑯ at an angle ① and pull away the drive shaft ②.
3. Remove bearing shell ⑳ from the aerator cylinder ⑯.
4. Push new spring ⑰, new stop ⑱ and new torsion spring ⑲ into the new aerator roller ⑯.



5. Push new aerator cylinder ⑯ on to the drive shaft in such a way that the torsion spring ⑲ is inserted in the gap in the drive shaft ㉑.
6. Push bearing shell ㉑ on to the aerator roller ⑯.
7. Screw bearing shell ㉑ to the underside of the housing ⑮, without tightening too much.
8. Set wear compensation to aerator position ① (see 6. Maintenance "Adjusting for wear").

Problem	Possible Cause	Remedy
Abnormal noise. Clattering in the unit	Foreign bodies on the aerator cylinder are hitting the Aerator.	1. Switch off the Aerator, remove the mains plug from the socket and wait until the Aerator has stopped rotating.
Whistling sound	Foreign bodies blocking the aerator cylinder.	2. Remove foreign bodies. 3. Check aerator immediately, immediately.
	Cogged belt slipping.	→ Have the machine repaired by GARDENA Service.
Motor will not start	Faulty cable.	→ Check cable.
	The conductor cross-section of the extension cable is possibly too low.	→ Contact your electrician.

Problem	Possible Cause	Remedy
Motor cuts out because blocking protection has been activated	Blocked by foreign bodies.	<ol style="list-style-type: none"> 1. Switch off the motor, remove the mains plug from the socket and wait until the Aerator has stopped rotating. 2. Remove foreign bodies. 3. After approx. 1 minute switch on the Aerator.
	Aerating depth too large (aerator cylinder has been adjusted for wear without wear to the knives).	<ol style="list-style-type: none"> 1. Leave motor to cool down. 2. Set adjustment for wear correctly.
	The grass is too tall.	→ Mow the lawn before aerating (see 3. Function "Correct Aerating").
Aerating results are not satisfactory	Aerator cylinder is worn.	→ Adjust aerator cylinder (see Maintenance).
	Cog-belt faulty.	→ Have the machine repaired by GARDENA Service
	Lawn has grown too tall.	→ Mow the lawn before using the Aerator.
Aerator cylinder no longer turns	Overload protection (torsion bar) is overturned.	→ Replace torsion bar.

If you have any problem with your Electric Aerator, please contact our Customer Service.

8. Storing Your Electric Aerator

Storage:

To save space the aerator can be folded up by releasing the wing nuts. Take care during this process that the cable does not become trapped.

- Store the Aerator in a dry, closed room to which children cannot gain access.
1. Switch off motor, unplug from the mains and wait until the aerator cylinder stops.
 2. Move the wear compensation to the transport position and raise the aerator when transporting it over sensitive surfaces, e.g. tiles.

Transport:

Disposal:

(in accordance with
RL 2002/96/EC)



The product must not be added to normal household waste. It must be disposed of in line with local environmental regulations.

9. Accessories

Collecting bag for Electric Aerator EVC 1000

Art. No. 4065

10. Technical Data

Motor power consumption	1,000 W
Mains voltage	230 V
Mains frequency	50/60 Hz
Working speed of the aerator cylinder	2,250 r.p.m.
Aerating width	30 cm
Wear adjustments	3 x 3 mm (3 adjustments + transport)
Working area related emission characteristic value $L_{pA}^{1)}$	79 dB (A)
Noise level $L_{WA}^{2)}$	measured 92 dB (A) / guaranteed 92 dB (A)
Vibrations $a_{vhw}^{1)}$	$\leq 2.5 \text{ m/s}^2$

Measuring method according to 1) EN 60335-1 2) Directive 2000/14/EC

11. Service

Warranty

GARDENA guarantees this product for 2 years (starting from the date of purchase). This guarantee covers all serious defects of the unit that can be proved to be material or manufacturing faults. Under warranty we will either replace the unit or repair it free of charge if the following conditions apply:

- The unit must have been handled properly and in keeping with the requirements of the operating instructions.
- Neither the purchaser or a non-authorized third party have attempted to repair the unit.

The aerator cylinder is a wearing part and is not covered by the guarantee.

This manufacturer's guarantee does not affect the user's existing warranty claims against the dealer/seller.

If a fault occurs with your Electric Aerator, please return the faulty unit together with a copy of the receipt and a description of the fault, with postage paid to one of the GARDENA Service Centres listed on the back of these operating instructions.

<p>D <i>Produkthftung</i></p>	<p>Wir weisen ausdrücklich darauf hin, dass wir nach dem Produkthaftungsgesetz nicht für durch unsere Geräte hervorgerufene Schäden einzustehen haben, sofern diese durch unsachgemäße Reparatur verursacht oder bei einem Teileaustausch nicht unsere Original GARDENA Teile oder von uns freigegebene Teile verwendet werden und die Reparatur nicht vom GARDENA Service oder dem autorisierten Fachmann durchgeführt wird. Entsprechendes gilt für Ergänzungsteile und Zubehör.</p>
<p>GB <i>Product Liability</i></p>	<p>We expressly point out that, in accordance with the product liability law, we are not liable for any damage caused by our units if it is due to improper repair or if parts exchanged are not original GARDENA parts or parts approved by us, and, if the repairs were not carried out by a GARDENA Service Centre or an authorised specialist. The same applies to spare parts and accessories.</p>
<p>F <i>Responsabilité</i></p>	<p>Nous vous signalons expressément que GARDENA n'est pas responsable des dommages causés par ses appareils, dans la mesure où ces dommages seraient causés suite à une réparation non conforme, dans la mesure où, lors d'un échange de pièces, les pièces d'origine GARDENA n'auraient pas été utilisées, ou si la réparation n'a pas été effectuée par le Service Après-Vente GARDENA ou l'un des Centres SAV agréés GARDENA. Ceci est également valable pour tout ajout de pièces et d'accessoires autres que ceux préconisés par GARDENA.</p>
<p>NL <i>Productaansprakelijkheid</i></p>	<p>Wij wijzen er nadrukkelijk op, dat wij op grond van de wet aansprakelijkheid voor producten niet aansprakelijk zijn voor schade ontstaan door onze apparaten, indien deze door onvakkundige reparatie veroorzaakt zijn, of er bij het uitwisselen van onderdelen geen gebruik gemaakt werd van onze originele GARDENA onderdelen of door ons vrijgegeven onderdelen en de reparatie niet door de GARDENA technische dienst of de bevoegde vakman uitgevoerd werd. Ditzelfde geldt voor extra-onderdelen en accessoires.</p>
<p>S <i>Produktansvar</i></p>	<p>Tillverkaren är inte ansvarig för skada som orsakats av produkten om skadan beror på att produkten har reparerats felaktigt eller om, vid reparation eller utbyte, andra än Original GARDENA reservdelar har använts. Samma sak gäller för kompletteringsdelar och tillbehör.</p>
<p>I <i>Responsabilità del prodotto</i></p>	<p>Si rende espressamente noto che, conformemente alla legislazione sulla responsabilità del prodotto, non si risponde di danni causati da nostri articoli se originati da riparazioni eseguite non correttamente o da sostituzioni di parti effettuate con materiale non originale GARDENA o comunque da noi non approvato e, in ogni caso, qualora l'intervento non venga eseguito da un centro assistenza GARDENA o da personale specializzato autorizzato. Lo stesso vale per le parti complementari e gli accessori.</p>
<p>E <i>Responsabilidad de productos</i></p>	<p>Advertimos que conforme a la ley de responsabilidad de productos no nos responsabilizamos de daños causados por nuestros aparatos, siempre y cuando dichos daños hayan sido originados por arreglos o reparaciones indebidas, por recambios con piezas que no sean piezas originales GARDENA o bien piezas autorizadas por nosotros, así como en aquellos casos en que la reparación no haya sido efectuada por un Servicio Técnico GARDENA o por un técnico autorizado. Lo mismo es aplicable para las piezas complementarias y accesorios.</p>
<p>P <i>Responsabilidade sobre o produto</i></p>	<p>Queremos salientar que segundo a lei da responsabilidade do fabricante, nós não nos responsabilizaremos por danos causados pelo nosso equipamento, quando estes ocorram em decorrência de reparações inadequadas ou da substituição de peças por peças não originais da GARDENA, ou peças não autorizadas. A responsabilidade tornar-se-à nula também depois de reparações realizadas por oficinas não autorizadas pela GARDENA. Esta restrição valerá também para peças adicionais e acessórios.</p>
<p>DK <i>Produktansvar</i></p>	<p>Vi gør udtrykkeligt opmærksom på at i henhold til produktansvarsloven er vi ikke ansvarlige for skader forårsaget af vores udstyr, hvis det skyldes uautoriserede reparationer eller hvis dele er skiftet ud og der ikke er anvendt originale GARDENA dele eller dele godkendt af os, eller hvis reparationerne ikke er udført af GARDENA-service eller en autoriseret fagmand. Det samme gælder for ekstra udstyr og tilbehør.</p>

<p>D EU-Konformitätserklärung Maschinenverordnung (9. GSGVO) / EMVG / Niedersp. RL Der Unterzeichnete GARDENA Manufacturing GmbH, Hans-Lorenser-Str. 40, D-89079 Ulm, bestätigt, dass die nachfolgend bezeichneten Geräte in der von uns in Verkehr gebrachten Ausführung die Anforderungen der harmonisierten EU-Richtlinien, EU-Sicherheitsstandards und produktspezifischen Standards erfüllen. Bei einer nicht mit uns abgestimmten Änderung der Geräte verliert diese Erklärung ihre Gültigkeit.</p>	<p>Bezeichnung des Gerätes: Elektro-Vertikutierer Description of the unit: Electric Aerator Désignation du matériel : Scarificateur électrique Omschrijving van het apparaat: Elektrische verticuteermachine Produktbeskrivning: Elektrisk Vertikalskårare Descrizione del prodotto: Scarificatore elettrico Descripción de la mercancía: Aireador eléctrico Descrição do aparelho: Escarificador de relva eléctrico Beskrivelse af enhederne: Elektrisk vertikalskærer</p>
<p>GB EU Certificate of Conformity The undersigned GARDENA Manufacturing GmbH, Hans-Lorenser-Str. 40, D-89079 Ulm, hereby certifies that, when leaving our factory, the units indicated below are in accordance with the harmonised EU guidelines, EU standards of safety and product specific standards. This certificate becomes void if the units are modified without our approval.</p>	<p>Typ: Art.-Nr.: Type: Art. No.: Type : Référence : Type : Art. nr.: Type: EVC 1000 Art.nr. : 4068 Modello: Art. : Tipo: Art. Nº: Tipo: Art. Nº: Type: Varenr. :</p>
<p>F Certificat de conformité aux directives européennes Le constructeur, soussigné : GARDENA Manufacturing GmbH, Hans-Lorenser-Str. 40, D-89079 Ulm, déclare qu'à la sortie de ses usines le matériel neuf désigné ci-dessous était conforme aux prescriptions des directives européennes énoncées ci-après et conforme aux règles de sécurité et autres règles qui lui sont applicables dans le cadre de l'Union européenne. Toute modification portée sur ce produit sans l'accord express de GARDENA supprime la validité de ce certificat.</p>	<p>EU-Richtlinien: 98/37/EG EU directives: 98/37/EG Directives européennes : 89/336/EG EU-richtlijnen: 89/336/EG EU direktiv : 73/23/EG Directive UE: 73/23/EG Normativa UE: 93/68/EG Directrices da UE: 2000/14/EG EU Retningslinier: 2000/14/EG</p>
<p>NL EU-overeenstemmingsverklaring Ondergetekende GARDENA Manufacturing GmbH, Hans-Lorenser-Str. 40, D-89079 Ulm, bevestigt, dat de volgende genoemde apparaten in de door ons in de handel gebrachte uitvoering voldoen aan de eis van, en in overeenstemming zijn met de EU-richtlijnen, de EU-veiligheidsstandaard en de voor het product specifieke standaard. Bij een niet met ons afgestemde verandering aan de apparaten verliest deze verklaring haar geldigheid.</p>	<p>Geräuschemissionswert: gemessen / garantiert Noise level: measured / guaranteed Puissance acoustique : mesurée / garantie Geluidsniveau: gemeten / gegarandeerd Ljudnivå: uppmätt / garanterad Livello rumorosità: testato / garantito Nível sonoro: medido / garantizado Nível de ruído: medido / garantido Lydytysniveaui: afmält / garanti 92 dB (A) / 92 dB (A)</p>
<p>S EU Tillverkarintyg Undertecknad firma GARDENA Manufacturing GmbH, Hans-Lorenser-Str. 40, D-89079 Ulm, intygar härmed att nedan nämnda produkter överensstämmer med EU:s direktiv, EU:s säkerhetsstandard och produktspecifikation. Detta intyg upphör att gälla om produkten ändras utan vårt tillstånd.</p>	<p>Anbringningsjahr der CE-Kennzeichnung: 2004 Year of CE marking: Date d'apposition du marquage CE : Installatiejaar van de CE-aanduiding: CE-Märkningsår: 2004 Anno di rilascio della certificazione CE: Colocación del distintivo CE: Ano de marcação pela CE: CE-Mærkningsår:</p>
<p>I Dichiarazione di conformità alle norme UE La sottoscritta GARDENA Manufacturing GmbH, Hans-Lorenser-Str. 40, D-89079 Ulm, certifica che il prodotto qui di seguito indicato, nei modelli da noi commercializzati, è conforme alle direttive armonizzate UE nonché agli standard di sicurezza e agli standard specifici di prodotto. Qualunque modifica apportata al prodotto senza nostra specifica autorizzazione invalida la presente dichiarazione.</p>	<p><i>Peter Lameli</i> Peter Lameli Technische Leitung Technical Dept. Manager Direction technique Hoofd technische dienst Technical Director Direzione Tecnica Dirección Técnica Director Técnico Teknisk direktør</p>
<p>E Declaración de conformidad de la UE El que suscribe GARDENA Manufacturing GmbH, Hans-Lorenser-Str. 40, D-89079 Ulm, declara que la presente mercancía, objeto de la presente declaración, cumple con todas las normas de la UE, en lo que a normas técnicas, de homologación y de seguridad se refiere. En caso de realizar cualquier modificación en la presente mercancía sin nuestra previa autorización, esta declaración pierde su validez.</p>	<p>P Certificado de conformidade da UE Os abaixo mencionados GARDENA Manufacturing GmbH, Hans-Lorenser-Str. 40, D-89079 Ulm, por este meio certificam que ao sair da fábrica o aparelho abaixo mencionado está de acordo com as diretrizes harmonizadas da UE, padrões de segurança e de produtos específicos. Este certificado ficará nulo se a unidade for modificada sem a nossa aprovação.</p>
<p>DK EU Overensstemmelse certifikat Undertegnede GARDENA Manufacturing GmbH, Hans-Lorenser-Str. 40, D-89079 Ulm bekræfter hermed, at enheder listet herunder, ved afsendelse fra fabrikken, er i overensstemmelse med harmoniserede EU retningslinier, EU sikkerhedsstandarder og produktspecifikationsstandarder. Dette certifikat træder ud af kraft hvis enhederne er ændret uden vor godkendelse.</p>	<p>Ulm, den 01.07.2004 Ulm, 01.07.2004 Fait à Ulm, le 01.07.2004 Ulm, 01-07-2004 Ulm, 2004.07.01 Ulm, 01.07.2004 Ulm, 01.07.2004 Ulm, 01.07.2004 Ulm, 01.07.2004 Ulm, 01.07.2004</p>

Deutschland / Germany

GARDENA
Manufacturing GmbH
Service Center
Hans-Lorenser-Straße 40
D-89079 Ulm
Produktfragen:
(+49) 731 490-123
Reparaturen:
(+49) 731 490-290
service@gardena.com

Argentina

Argensem® S.A.
Calle Colonia Japonesa s/n
(1625) Loma Verde
Escobar, Buenos Aires
Phone: (+54) 34 88 49 40 40
info@argensem.com.ar

Australia

Nylex Consumer Products
50-70 Stanley Drive
Somerton, Victoria, 3062
Phone: (+61) 1800 658 276
spare.parts@nylex.com.au

Austria / Österreich

GARDENA
Österreich Ges.m.b.H.
Stettnerweg 11-15
2100 Korneuburg
Tel.: (+43) 22 62 7 45 45 36
kundendienst@gardena.at

Belgium

GARDENA Belgium NV/SA
Sterrebeekstraat 163
1930 Zaventem
Phone: (+32) 2 7 20 92 12
Mail: info@gardena.be

Brazil

Palash Comércio e
Importação Ltda.
Rua Américo Brasiliense,
2414 - Chácara Sto Antonio
São Paulo - SP - Brasil -
CEP 04715-005
Phone: (+55) 11 5181-0909
eduardo@palash.com.br

Bulgaria

DENEX LTD.
2 Luis Ahalier Str. - 7th floor
Sofia 1404
Phone: (+359) 2 958 18 21
office@denex-bg.com

Canada

GARDENA Canada Ltd.
100 Summerlea Road
Brampton, Ontario L6T 4X3
Phone: (+1) 905 792 93 30
info@gardenacanada.com

Chile

Antonio Martinic y Cia Ltda.
Cassillas 272
Centro de Cassillas
Santiago de Chile
Phone: (+56) 2 20 10 708
garfar_cl@yahoo.com

Costa Rica

Compania Exim
Euroberoamericana S.A.
Los Colegios, Moravia,
200 metros al Sur del Colegio
Saint Francis - San José
Phone: (+506) 297 68 83
exim_euro@racsa.co.cr

Croatia

KLIS d.o.o.
Stanciceva 79
10419 Vukovina
Phone: (+385) 1 622 777 0
gardena@klis-trgovina.hr

Cyprus

FARMOKIPIKI LTD
P.O. Box 7098
74, Digeni Akritra Ave.
1641 Nicosia
Phone: (+357) 22 75 47 62
condam@spidernet.com.cy

Czech Republic

GARDENA spol. s r.o.
Řípská 20a, č.p. 1153
627 00 Brno
Phone: (+420) 800 100 425
gardena@gardenabrno.cz

Denmark

GARDENA Norden AB
Salgsafdeling Danmark
Box 9003
S-200 39 Malmö
info@gardena.dk

Finland

Habitec Oy
Martinkyläntie 52
01720 Vantaa

France

GARDENA
PARIS NORD 2
69, rue de la Belle Etoile
BP 57080
ROISSY EN FRANCE
95948 ROISSY CDG CEDEX
Tél. (+33) 0826 101 455
service.consommateurs@
gardena.fr

Great Britain

GARDENA UK Ltd.
27-28 Brenkley Way
Blezzard Business Park
Seaton Burn
Newcastle upon Tyne
NE13 6DS
info@gardena.co.uk

Greece

Agrokrip
G. Psomadopoulos & Co.
33 A, Ifestou Str. –
Industrial Area
194 00 Koropi, Athens
Phone: (+30) 210 66 20 225
service@agrokrip.gr
www.agrokrip.gr

Hungary

GARDENA
Magyarország Kft.
Késmárk utca 22
1158 Budapest
Phone: (+36) 80 20 40 33
gardena@gardena.hu

Iceland

Ó. Johnson & Kaaber
Tunguhalsi 1
110 Reykjavik
oaj@oajk.is

Ireland

Michael McLoughlin & Sons
Hardware Limited
Long Mile Road
Dublin 12

Italy

GARDENA Italia S.p.A.
Via Donizetti 22
20020 Lainate (Mi)
Phone: (+39) 02.93.94.79.1
info@gardenaitalia.it

Japan

KAKUICHI Co. Ltd.
Sumitomo Realty &
Development Kojimachi
BLDG., 8F
5-1 Nibannoyo, Chiyoda-ku
Tokyo 102-0084
m_ishihara@kaku-ichi.co.jp
Phone: (+81) 33 264 4721

Luxembourg

Magasins Jules Neuberg
Boîte postale 12
L-2010 Luxembourg
Phone: (+352) 40 14 01
info@neuberg.lu

Netherlands

GARDENA Nederland B.V.
Postbus 50176
1305 AD ALMERE
Phone: (+31) 36 521 00 00
info@gardena.nl

Neth. Antilles

Jonka Enterprises N.V.
Sta. Rosa Weg 196
P.O. Box 8200
Curaçao
Phone: (+599) 9 767 66 55
pgm@jonka.com

New Zealand

NYLEX New Zealand Limited
Building 2
118 Savill Drive
Mangere, Auckland
Phone: (+64) 9 270 1806
lena.chapman@nylex.com.au

Norway

GARDENA Norden AB
Salgskontor Norge
Karihaugveien 89
1086 Oslo
info@gardena.no

Poland

GARDENA Polska Sp. z o.o.
Szymanów 9 d
05-532 Baniocza
Phone: (+48) 22 727 56 90
gardena@gardena.pl

Portugal

GARDENA Portugal Lda.
Recta da Granja do Marquês
Edif. GARDENA Algueirão
2725-596 Mem Martins
Phone: (+351) 21 922 85 30
info@gardena.pt

Romania

MADEX INTERNATIONAL SRL
Soseaua Odaii 117-123,
Sector 1,
București, RO 013603
Phone: (+40) 21 231 76 03
madox@ines.ro

Russia / Россия

АО АМИДА ТТЦ
ул. Мосфильмовская 66
117330 Москва
Phone: (+7) 095 956 99 00
amida@col.ru

Singapore

Hy - Ray PRIVATE LIMITED
40 Jalan Pemimpin
#02-08 Tat Ann Building
Singapore 577185
Phone: (+65) 6253 2277
hyray@singnet.com.sg

Slovak Republic

GARDENA Slovensko, s.r.o.
Bohrova č. 1
85101 Bratislava
Phone: (+421) 263 453 722
info@gardena.sk

Slovenia

Silk d.o.o.
Brodšiče 15
1236 Trzin
Phone: (+386) 1 580 93 00
gardena@silk.si

South Africa

GARDENA
South Africa (Pty.) Ltd.
P.O. Box 11534
Vorna Valley 1686
Phone: (+27) 11 315 02 23
sales@gardena.co.za

Spain

GARDENA IBÉRICA S.L.U.
C/ Basauri, nº 6
La Florida
28023 Madrid
Phone: (+34) 91 708 05 00
(4 líneas)
atencioncliente@gardena.es

Sweden

GARDENA Norden AB
Försäljningskontor Sverige
Box 9003
200 39 Malmö
info@gardena.se

Switzerland / Schweiz

GARDENA (Schweiz) AG
Bitzberg 1
8184 Bachenbülach
Phone: (+41) 1 860 26 66
info@gardena.ch

Turkey

GARDENA / Dost Diş Ticaret
Mümesillik A.Ş. Sanayi
Çad. Adil Sokak No. 1
Kartal - İstanbul
Phone: (+90) 216 38 93 939
info@gardena-dost.com.tr

Ukraine / Украина

АОЗТ АЛЬЦЕСТ
ул. Іайдара 50
г. Киев 01033
Phone: (+380) 44 220 4335
info@gardena.ua

USA

Melnor Inc.
3085 Shawnee Drive
Winchester, VA 22604
Phone: (+1) 540 722-9080
service_us@melnor.com

4068-20.960.04/1105
© GARDENA
Manufacturing GmbH
D-89070 Ulm
http://www.gardena.com